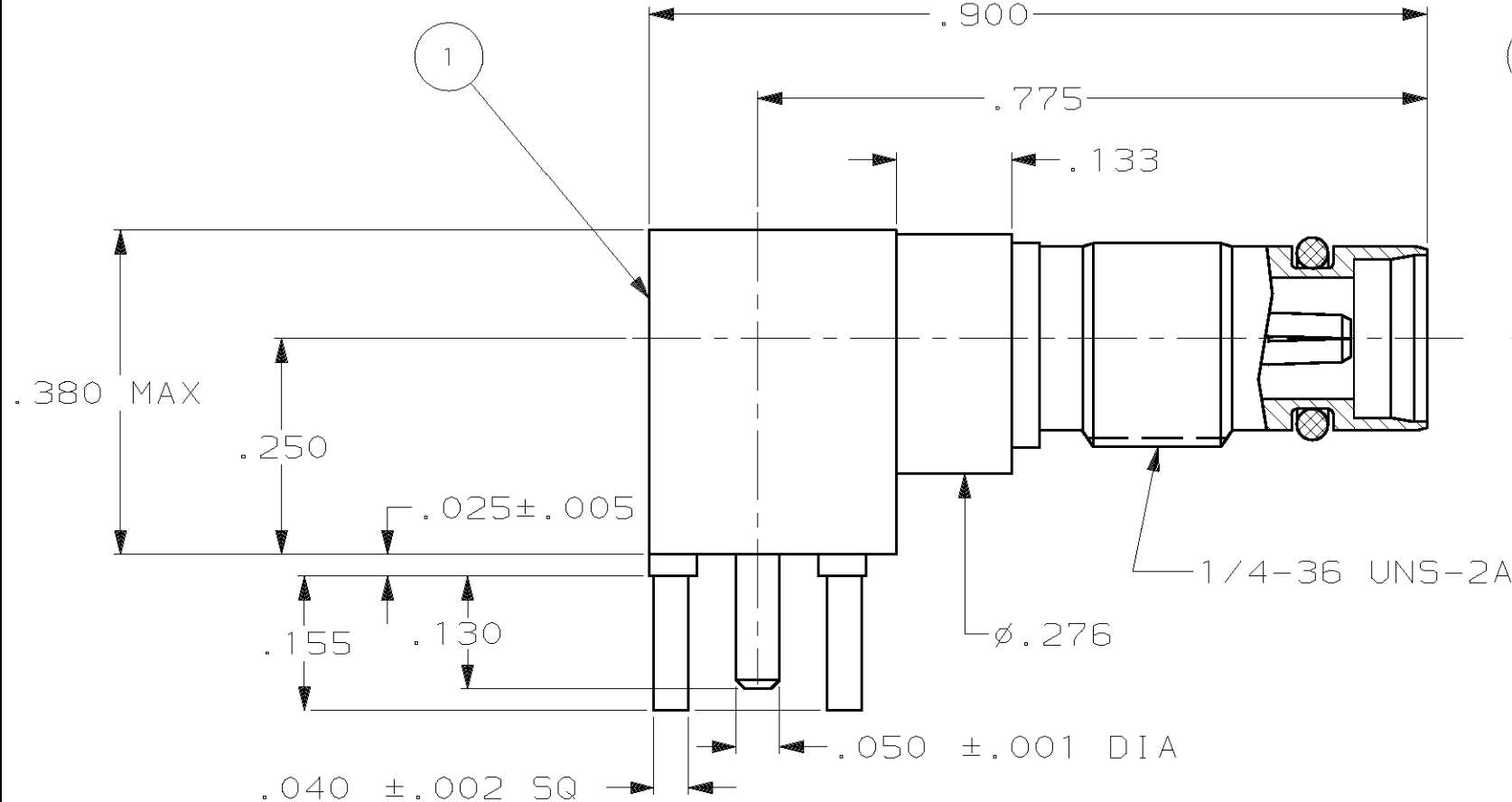
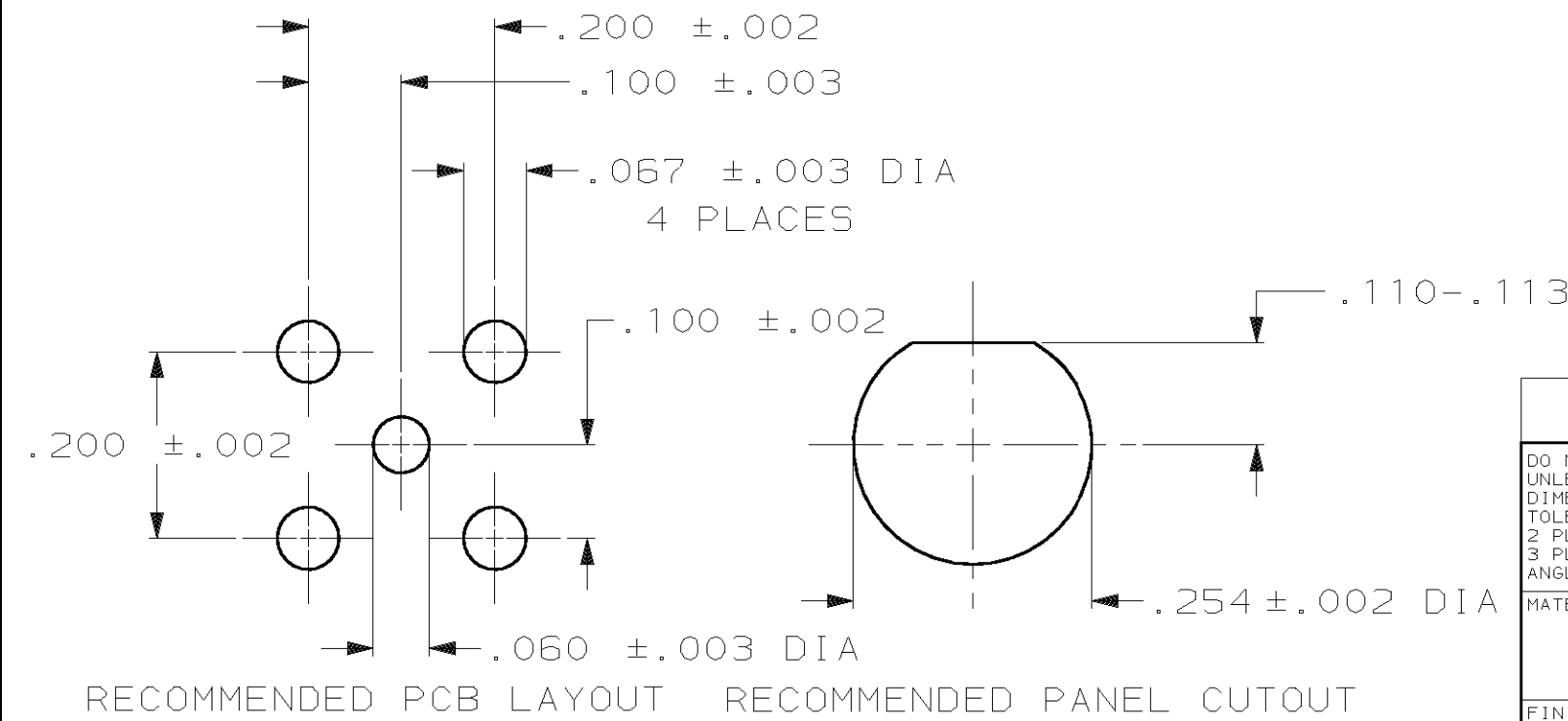


THIS DRAWING IS UNPUBLISHED. RELEASED FOR PUBLICATION, 19
 © COPYRIGHT 19 BY AMP INCORPORATED. ALL INTERNATIONAL RIGHTS RESERVED.

| | | | | | | | | |
|-----|------|-----------|---|------|-----|----------------------|---------|------|
| LOC | DIST | REVISIONS | | | | | | |
| AJ | 16 | P | F | ZONE | LTR | DESCRIPTION | DATE | APPD |
| | | | | | B | REV PER 0U20-0078-99 | 22SEP99 | M0 |



1. PANEL THICKNESS: .080-.125



| 1 | 2-332004-0 | JAMNUT | 3 |
|-----|------------|---------------|---------|
| 1 | 1-22145-3 | LOCKWASHER | 2 |
| 1 | 448722-1 | JACK ASSEMBLY | 1 |
| QTY | PART NO | DESCRIPTION | ITEM NO |

| | | | | |
|---|-----------------------------|--|-----------------|---------------------|
| DO NOT SCALE PRINT. UNLESS SPECIFIED DIMENSIONS IN INCHES TOLERANCES ON: 2 PLC DEC ± - 3 PLC DEC ± .010 ANGLES ± - | DR R.L. FISHER, JR. 11-3-92 | AMP AMP Incorporated Harrisburg, PA 17105-3608 | | |
| | CHK M.E.PASTAL 11-5-92 | | | |
| | APPD R.L.FISHER JR 11-5-92 | NAME JACK, PCB, RIGHT ANGLE, BULKHEAD MOUNTED, 3.5MM BLIND MATE | | |
| | APPD R.L.FISHER JR 11-5-92 | | | |
| MATERIAL - | PRODUCT SPEC - | SIZE B | CAGE CODE 00779 | DRAWING NO 448089-1 |
| FINISH - | APPLICATION SPEC - | SCALE 5:1 | SHEET 1 OF 1 | |
| WEIGHT - | | | | |